


# WASHER-EXTRACTORS WB6-20 / WB6-27 / WB6-35

## MAINTENANCE

### Tips for use

#### Drum positioning and Door unlocking

- Position the inner drum in front of the outer door with the "Door unlocking button" .

#### Loading

- Before launching a wash cycle, check the clothes
  - Empty the pockets, close zip and fasteners.
- Do not overload the drum and comply with the machine capabilities.

#### Adding detergents

- Machines equipped with a soap box can contain 2 powders and 2 liquids products, used during the pre-wash, main wash or rinse step according to the program.

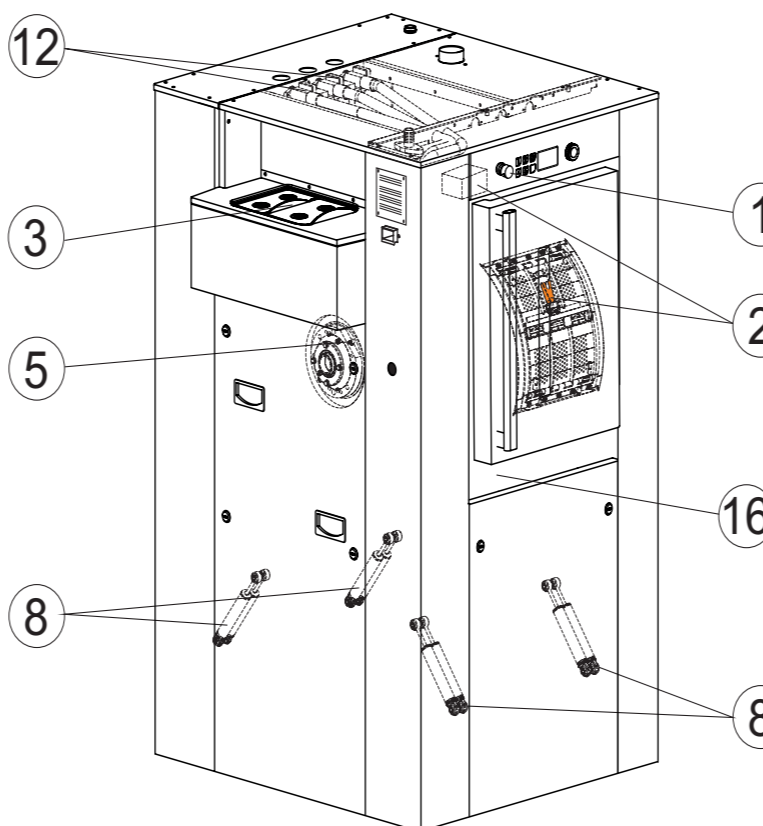
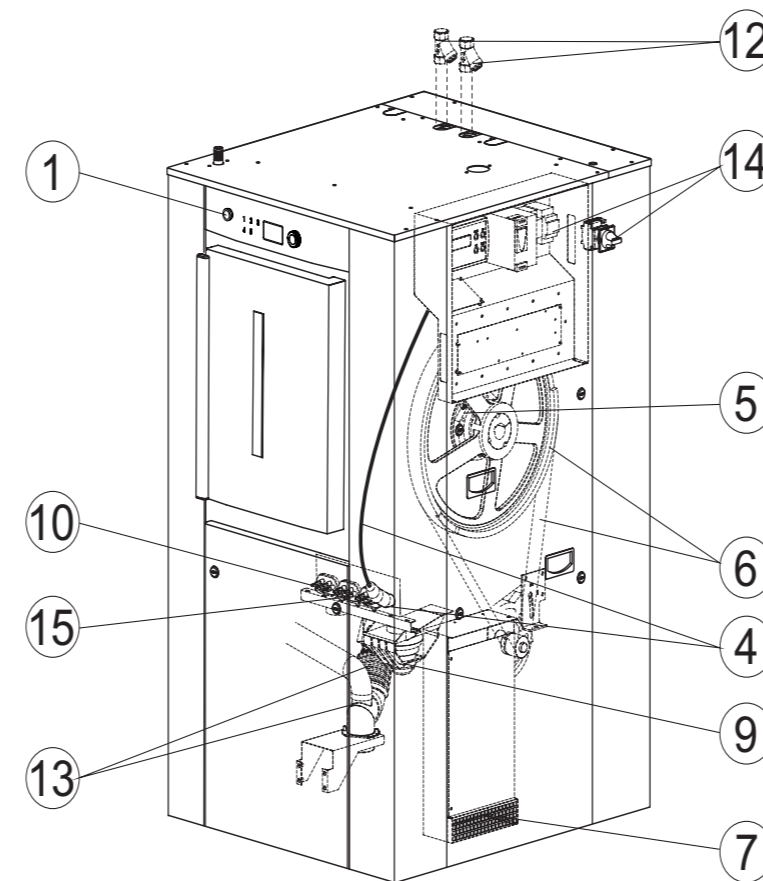
#### Launching a wash program

- Use the control knob to select wash program, options and any other available functions.
- Turn the knob until the required option is shown on the display.
- Confirm your choice by pushing in the knob.
- Repeat this procedure until all the required options have been chosen.

Refer to the brochure "how" to best use your machine

**IMPORTANT:** Points 1, 2, 3, 7, 16, 17 and 18 can be performed by a trained operator. **All other points must be carried out by a trained and qualified technician.**

**NOTE:** Any repair or maintenance intervention must be carried out by an authorized person according to the local regulations in force in the country.



**DAILY (8 h)**  
(at the beginning of each working day)

- Check that the "Emergency stop button" works properly.
- Check that the opening safety devices of the inner drum doors and of the outer doors are working correctly.
- Clean the detergent container at regular basis to avoid that it is being clogged by detergent residue.

**MONTHLY (170 h)**

- Clean the water level pipe and connections on the outer drum (do not blow in the pipe toward the CPU).
- Grease the drum bearings (two greasing points per bearing. Use an appropriate pump and grease, avoid brutal injections (see lubricant table in the operating manual).
- Check that the belts are clean and tightened. Clean the inner drum pulley.
- Clean the converter's grille and its cooling system with a suction system. Increase the cleaning times frequency to the dirtying.

**EVERY THREE MONTHS (500 h)**

- Visually check the shock absorbers.
- Remove and clean the drain.
- Clean the protection membrane.

**EVERY SIX MONTHS (1000 h)**

- Check the connections of the heating elements (for electric heating).
- Check the steam heating pipes, aspect and connecting points. Clean the filter (for steam heating).
- Check the water inlet pipes, aspect and connecting points. Clean the valve filters.
- Check the bellows, aspects and choke collar.
- Check that the electrical connection are correctly tightened as well on the main switch than on the electric elements contactor.
- Remove the scale of the heating elements using the right chemical. Adapt this operation according to your need (water hardness).